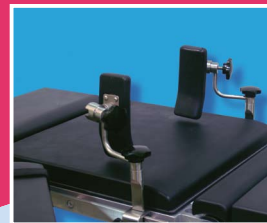


# ATS SURGICAL TABLE

INTUITIVE MOTION / UNYIELDING STABILITY



Built to the foremost standard of quality, with intuition and stability in mind the ATS surgical table is the new standard in patient positioning. The ATS surgical features a C-Arm compatible table top with a 225 KG (500 LB) lift capacity. The ATS has many advanced positioning features such as a 180 degree horizontal rotation and a horizontal slide motion to create a greater field of view for C-arm use.



- Silent electro-hydraulic movements
- Kidney Bridge
- Electronic control with safety lock
- Mobile anti-static castors with floor lock
- Horizontal Slide
- 180 degree rotation
- "Flex" positioning
- Easy access to electro-hydraulic system for service
- Optional battery backup
- Optional auto-reset / level function
- Optional wireless remote control



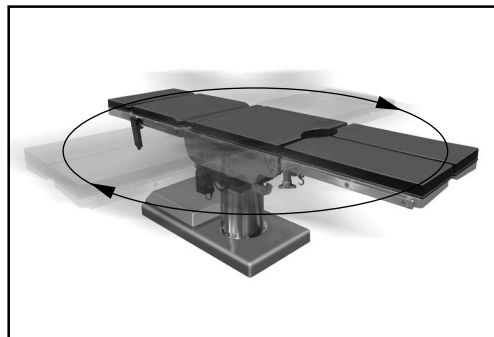
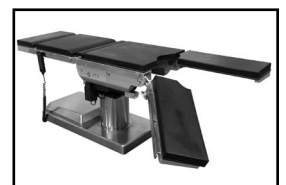
*Advanced, Affordable Medical Technology For The World*

# ATS - MULTIFUNCTIONAL ELECTRO HYDRAULIC OPERATING TABLE TECHNICAL SPECIFICATIONS

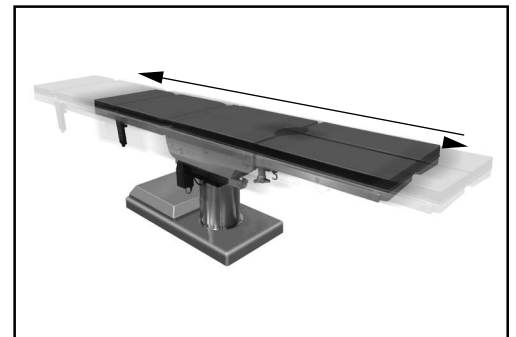
Model	Standard	Advanced
Bed Size	2050x500mm	2150x500mm
Height	670-1100mm	600-950mm
Reverse Trendelenburg	antersion $\geq$ 30°, retroversion $\geq$ 30°	antersion $\geq$ 30°, retroversion $\geq$ 30°
Title Left/Right	leftoblique $\geq$ 30°, rightoblique $\geq$ 30°	leftoblique $\geq$ 15°, rightoblique $\geq$ 15°
Chest Plate Adjustment	~	$\geq$ 25° / $\geq$ 35°
Back Plate Adjustment	+75° ~ -20°	+75° ~ -20°
Head Plate Adjustment	$\geq$ 40° / $\geq$ 90°	$\geq$ 40° / $\geq$ 90°
Leg Plate Adjustment	$\geq$ 90°	$\geq$ 90°
Leg Plate Angle	0~ 90°	0~ 90°
Rotation	0~ 180°	0~ 180°
Longitudinal Shift	~	$\geq$ 350mm
Wireless Remote Control and Effective Distance	~	standard 2m
Wired Remote Control	standard	standard
Four-level Position Reset Function	~	standard
Emergency Power Supply	~	standard

## Standard Accessories of ATS

Anesthesia Frame	1	Waist Supporters	2
Shoulder Supporter	2	Square Clamp II	2
Arm Rest	2	Square Clamp I	5
Leg-Crutches	2		



**180° Rotation**



**Horizontal Slide**

Authorized Distributor:



12151 62nd St N #5 • Largo FL 33773 • USA

Phone: (1) 727-531-8434 • Fax: (1) 727-531-8436

Web: [www.infiniummedical.com](http://www.infiniummedical.com) • Email: [sales@infiniummedical.com](mailto:sales@infiniummedical.com)